



YLI ELECTRONIC

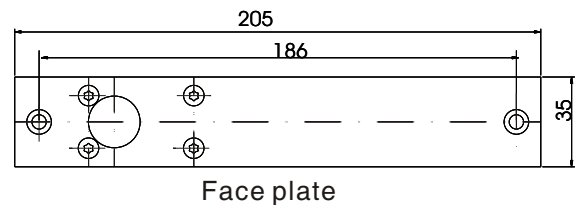
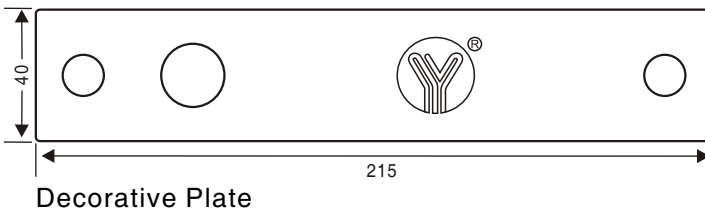
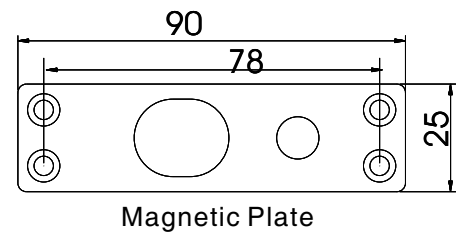
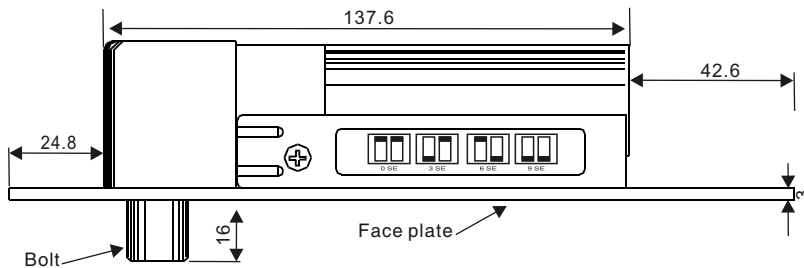
Fail Safe Electric Bolt



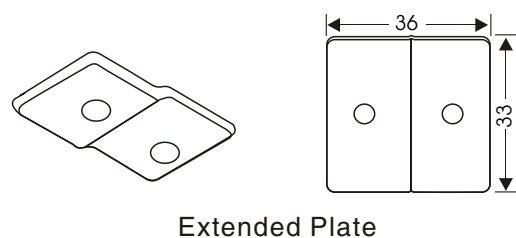
Parameters

Model	YB-100	YB-100+	YB-100+(LED)	YB-100S
Face Plate	205Lx35Wx40H	205Lx35Wx40H	205Lx35Wx40H	205Lx35Wx40H
Strike	90Lx25Wx2H	90Lx25Wx2H	90Lx25Wx2H	90Lx25Wx2H
Decorative Panel	215Lx40Wx0.5H	215Lx40Wx0.5H	215Lx40Wx0.5H	215Lx40Wx0.5H
Bolt	16mmx16mm	16mmx16mm	16mmx16mm	16mmx16mm
Voltage	Start 900mA, Standby 110mA	Start 900mA, Standby 110mA	Start 900mA, Standby 110mA	Start 900mA, Standby 120mA
Current	12VDC	12VDC	12VDC	12VDC
Time Delay		0/3/6/9 sec	0/3/6/9 sec	
Signal Output	NC、COM	NC、COM	NC、COM	
LED			YES	
Weight	0.72kg	0.72kg	0.72kg	0.72kg

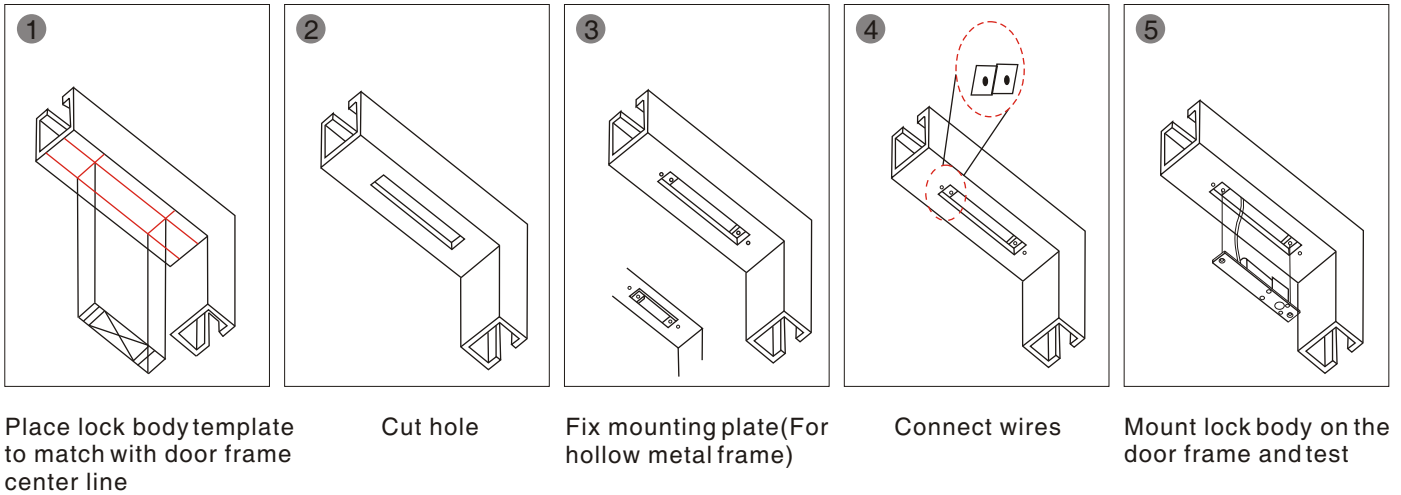
Dimensions



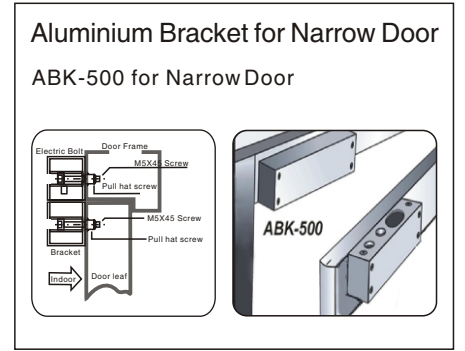
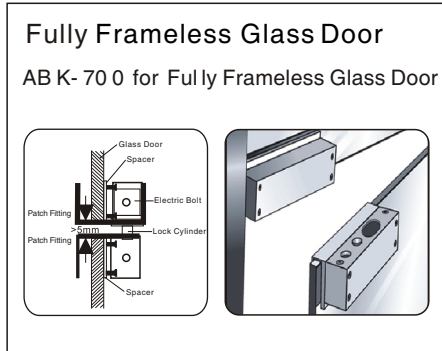
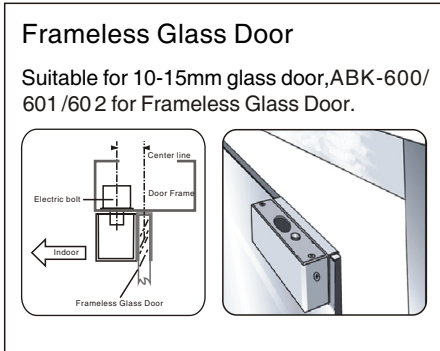
Model	Red	Black	White	White	LED
YB-100S	✓	✓			
YB-100	✓	✓	✓	✓	
YB-100+	✓	✓	✓	✓	
YB-100+(LED)	✓	✓	✓	✓	✓



Installation



Installation Schematic



Wiring Diagram

